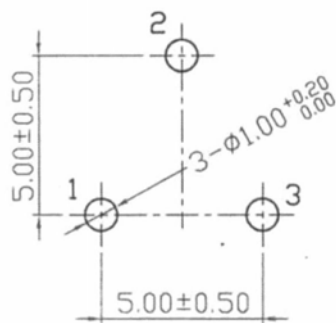
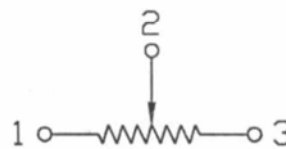


**APPEARANCE  
DRAWING:**

± 10°  
0-10mm ±0.3mm  
10-60mm ±0.5mm



RECOMMEND P.C.B LAYOUT



CIRCUIT DIAGRAM

### General Specifications:

- Resistance Range  
500Ω - 500kΩ \*\*
- Tolerance  
±30%
- End Resistance  
5% max. of nominal value
- Resistance taper  
Linear (B)
- Wattage rating  
0.1watt
- Rotation torque  
80-300 grm/cm
- Rotation life  
±15% max. for 100 rotations
- Stop-end torque  
0.5kg/cm min.
- Rotation Angle  
200° ±20% min.
- Temperature Characteristics  
+5-30% Max. 5hrs/70°C of the normal resistance
- Load life  
±5% Max. 3hours rated load
- Load life in humidity  
20% Max. 350 hrs rated load in 90% RH 40°C
- Mechanical strength  
Bakelite base not be broken down adding force on 1kg min.
- Max soldering  
Iron tip and allowable time @ 250°C for 2sec.

\*\* Custom Ranges Available