

xxxRIA160

Phase Control Thyristor

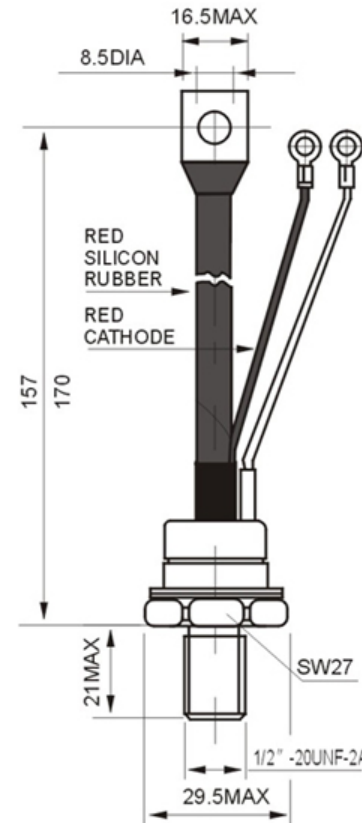
Features:

- High current rating
- Excellent dynamic characteristics
- Superior surge capabilities
- Standard package

Typical Applications:

- Phase control applications in converters
- Lighting controls
- Batteries Chargers
- Regulated power supplies and temperature & speed control circuits
- Motor controls

KEST™



Series	I_T (AV)	$\frac{V^{TM}}{I^{TM}}$		I_T (RMS)	V_{RRM}	I_{RRM}	I_{GT}	V_{GT}	I^H	I^L	dv/dt	di/dt	T^j	R^{jc}	Package	
	T^{HS} 55°	25°														
	A	V	A	A	V	mA	mA	V	mA	mA	v/us	A/us				
100	100	1.6	300	160	200-1600	≤15	50-200	≤2.5	≤200	≤400	≥800	≥100	-40°	≤0.6	≤12	TO-94
130	130	1.55	390	208	200-1600	≤15	50-200	≤2.5	≤200	≤400	≥800	≥100	+125°	≤0.55	≤12	TO-94